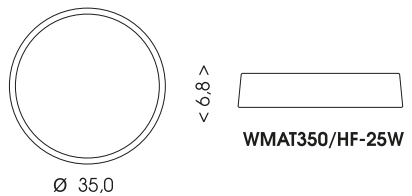
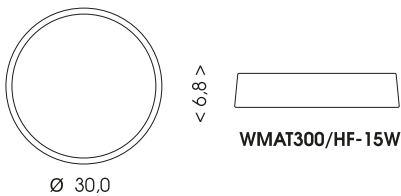
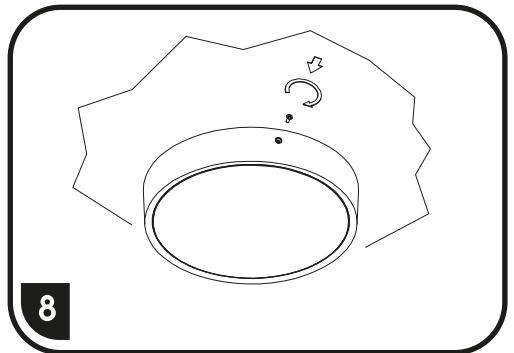
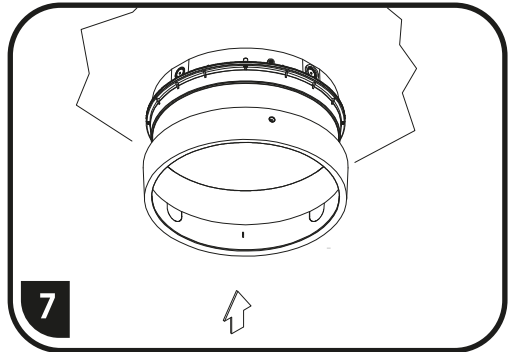
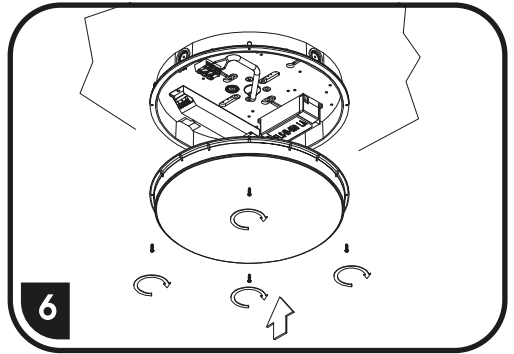
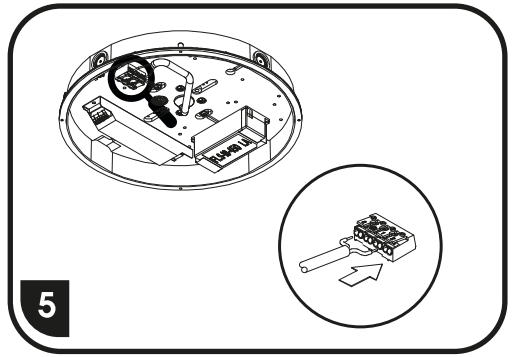
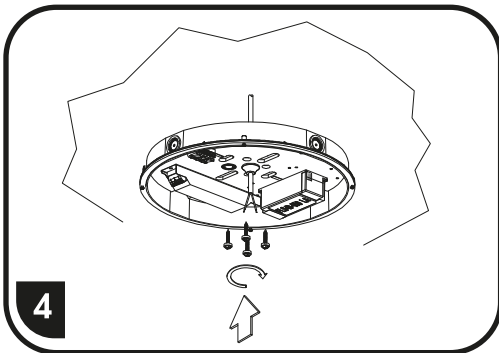
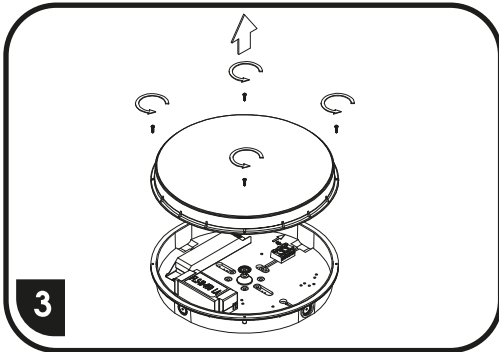
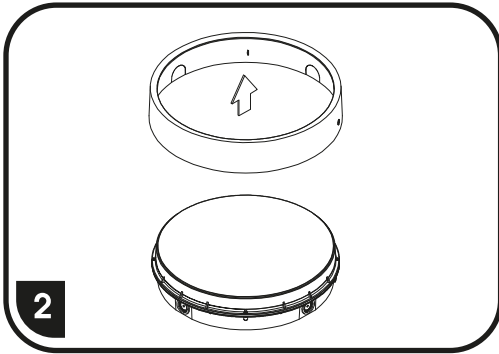
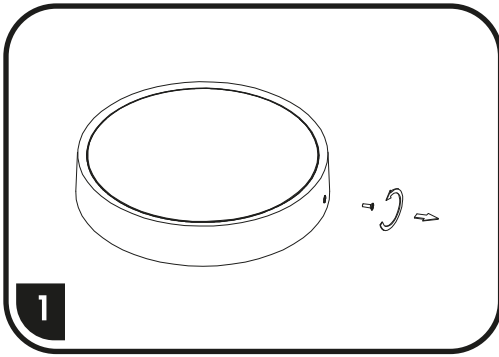
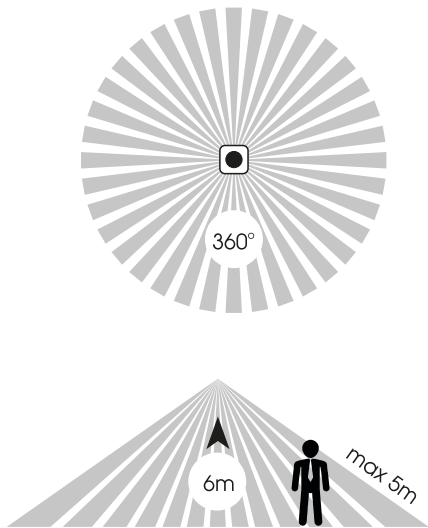


WMAT300/HF-15W





CITLIVOST

		1	2	
I- 100%	ON	ON	ON	100%
II- 75%	II	ON	—	75%
III- 50%	III	—	ON	50%
IV- 10%	IV	—	—	10%

DOBA SVÍCENÍ

		3	4	
I- 5s	ON	ON	ON	5s
II- 10s	II	ON	—	90s
III- 5min	III	—	ON	5min
IV- 15min	IV	—	—	15min

POHYBOVÝ SENZOR

		5	6	
I- Disable Vypnutí senzoru	ON	ON	ON	Disable
II- 50Lux	II	ON	—	50Lux
III- 10Lux	III	—	ON	10Lux
IV- 2Lux	IV	—	—	2Lux